

# SDF

## SEDNA Floating Impeller



### • Features



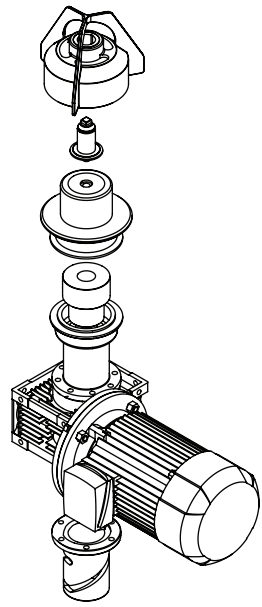
주로 일반 교반을 목적으로 사용되며 베어링이 부양해있기 때문에 파티클 발생량이 감소되며 베어링 손상이 덜합니다.

**적용분야** 제약, 식품, 화학 등

Mainly used for the general mixing, its bearing floats slightly from the bottom, so amounts of particle is reduced and the bearing takes less damage.

**Applications** Pharmaceutical, food, Chemical etc

• Product Information

	Model	Mixing volume Design RPM	Specification
	SDF-60	50L (AC 0.18kw) 50~450 RPM	<ul style="list-style-type: none"> <li>▶ Impeller                             <ul style="list-style-type: none"> <li>• Material : Stainless Steel, Hastelloy , Titanium</li> <li>• Surface Finish : Ra &lt;0.4μm</li> </ul> </li> <li>▶ Welding Plate                             <ul style="list-style-type: none"> <li>• Material : Stainless Steel, Hastelloy, Titanium</li> <li>• Surface Finish : Ra &lt;0.4μm</li> </ul> </li> <li>▶ Bearing                             <ul style="list-style-type: none"> <li>• Bearing Material : SiC / TC</li> <li>• Elastomer : EPDM, Viton, Silicon PTFE Capsule etc.</li> </ul> </li> <li>▶ Drive Unit                             <ul style="list-style-type: none"> <li>• 220/380~440 VAC</li> <li>• Gearbox ratio : 15:1, 10:1</li> <li>• Gear type : Worm / Helical gear</li> <li>• Protection : IP54/55</li> <li>• 50/60Hz</li> </ul> </li> </ul>
	SDF-100	150L (AC 0.37kw) 50~450 RPM	
	SDF-150	700L (AC 0.75kw) 50~450 RPM	
	SDF-200	1500L (AC 1.5kw) 50~350 RPM	
	SDF-220	3000L (AC 2.2kw) 50~350 RPM	