

SHM

SEDNA Horizontal Mounted Impeller



• Features


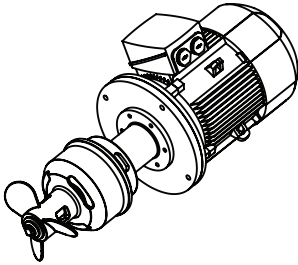
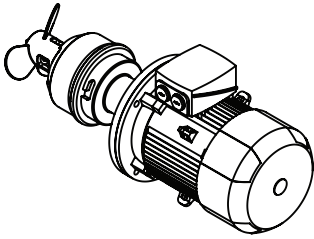
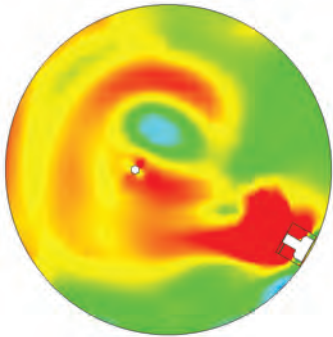
측면설치형으로서, 대용량 사일로 탱크의 내용물 교반을 위해 개발되었으며 상부 또는 하부 공간을 사용할 수 없는 탱크에 설치가 가능합니다.

적용분야 제약, 식품, 화학 등

As a side-mounted type, it is developed for bulk silo tank and can be installed to tanks which top or bottom place is not available.

Applications Pharmaceutical, food, Chemical etc

• Product Information

	Model	Mixing volume Design RPM	Specification
	<p>SHM - 250</p>	<p>~150,000L (2 impellers) (AC 5.5kw) 1500 RPM</p>	<ul style="list-style-type: none"> ▶ Impeller <ul style="list-style-type: none"> • Material : Stainless Steel, Hastelloy , Titanium • Surface Finish : Ra <0.4μm ▶ Welding Plate <ul style="list-style-type: none"> • Material : Stainless Steel, Hastelloy, Titanium • Surface Finish : Ra <0.4μm ▶ Bearing <ul style="list-style-type: none"> • Bearing Material : SiC / TC • Elastomer : EPDM, Viton, Silicon PTFE Capsule etc. ▶ Drive Unit <ul style="list-style-type: none"> • 220/380~440 VAC • Protection : IP54/55 • 50/60HZ <div style="display: flex; justify-content: space-around; align-items: center; margin-top: 20px;">    </div>